



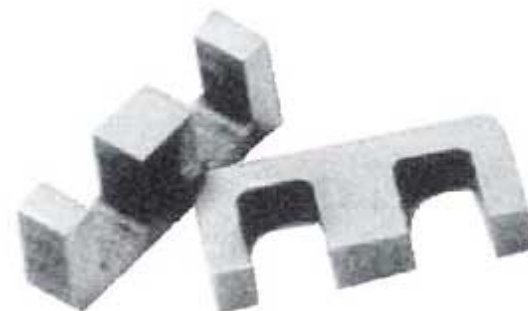
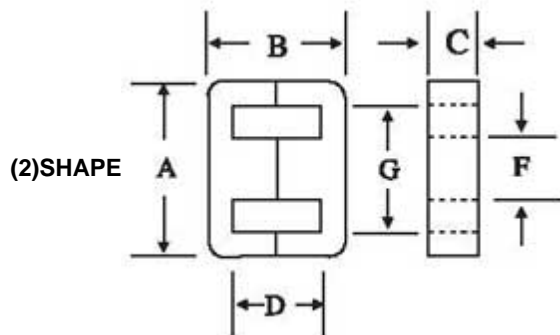
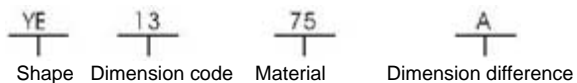
**YUXIANG**

www.magnet-tech.com

China Professional Ferrite Core Supplier

## E TYPE IRON POWDER CORE

### (1) ORDERING CODE



TYPE	AL	A	B	C	D	F	G	le	Ae	V	W
YE35-75	134.0	34.9	29.1	9.53	19.6	9.53	25.4	7.40	.907	6.72	1.55
YE35-22	50.5	34.9	29.1	9.53	19.6	9.53	25.4	7.40	.907	6.72	1.55
YE35-60	113.0	34.9	29.1	9.53	19.6	9.53	25.4	7.40	.907	6.72	1.55

metal cores,precision core,soft magnetic alloy,metallic ribbon,permalloy cores,high-tech materials,

YE35-75A	131.0	34.9	29.1	9.53	19.6	9.53	25.4	7.40	.907	6.72	1.55
YE37-55	112.0	37.0	34.8	10.8	24.1	10.8	26.3	8.50	1.17	9.89	1.84
YE37-75	146.0	37.0	34.8	10.8	24.1	10.8	26.3	8.50	1.17	9.89	1.84
YE37-75A	146.0	37.0	34.8	10.8	24.1	10.8	26.3	8.50	1.17	9.89	1.84
YE41-35	105.0	41.3	34.1	12.7	21.4	12.7	28.6	8.41	1.61	13.6	1.70
YE41-55	149.0	41.3	34.1	12.7	21.4	12.7	28.6	8.41	1.61	13.6	1.70
YE41-75	210.0	41.3	34.1	12.7	21.4	12.7	28.6	8.41	1.61	13.6	1.70
YE41-22	78.0	41.3	34.1	12.7	21.4	12.7	28.6	8.41	1.61	13.6	1.70
YE41-60	175.0	41.3	34.1	12.7	21.4	12.7	28.6	8.41	1.61	13.6	1.70
YE41-75A	199.0	41.3	34.1	12.7	21.4	12.7	28.6	8.41	1.61	13.6	1.70
YE43-35	97.0	42.8	42.2	15.0	30.7	12.0	30.7	10.4	1.80	18.5	2.87
YE43-55	135.0	42.8	42.2	15.0	30.7	12.0	30.7	10.4	1.80	18.5	2.87
YE43-75	195.0	42.8	42.2	15.0	30.7	12.0	30.7	10.4	1.80	18.5	2.87
YE43-22	73.0	42.8	42.2	15.0	30.7	12.0	30.7	10.4	1.80	18.5	2.87
YE43-60	163.0	42.8	42.2	15.0	30.7	12.0	30.7	10.4	1.80	18.5	2.87
YE43-75A	179.0	42.8	42.2	15.0	30.7	12.0	30.7	10.4	1.80	18.5	2.87
YE43-35A	116.0	42.8	42.2	20.0	30.7	12.0	30.7	10.4	2.41	24.6	2.87
YE43-55A	170.0	42.8	42.2	20.0	30.7	12.0	30.7	10.4	2.41	24.6	2.87
YE43-75A	232.0	42.8	42.2	20.0	30.7	12.0	30.7	10.4	2.41	24.6	2.87
YE43-22A	85.0	42.8	42.2	20.0	30.7	12.0	30.7	10.4	2.41	24.6	2.87
YE43-33A	110.0	42.8	42.2	20.0	30.7	12.0	30.7	10.4	2.41	24.6	2.87
YE43-60A	196.0	42.8	42.2	20.0	30.7	12.0	30.7	10.4	2.41	24.6	2.87
YE43-75AA	230.0	42.8	42.2	20.0	30.7	12.0	30.7	10.4	2.41	24.6	2.87
YE47-35	144.0	47.4	39.4	15.7	24.2	15.7	31.8	9.53	2.48	23.3	1.93
YE47-55	213.0	47.4	39.4	15.7	24.2	15.7	31.8	9.53	2.48	23.3	1.93
YE47-75	265.0	47.4	39.4	15.7	24.2	15.7	31.8	9.53	2.48	23.3	1.93
YE47-22	115.0	47.4	39.4	15.7	24.2	15.7	31.8	9.53	2.48	23.3	1.93
YE47-60	240.0	47.4	39.4	15.7	24.2	15.7	31.8	9.53	2.48	23.3	1.93
YE47-75A	265.0	47.4	39.4	15.7	24.2	15.7	31.8	9.53	2.48	23.3	1.93
YE56-35	143.0	56.1	55.4	20.8	38.3	17.3	38.6	13.2	3.60	47.7	4.09
YE56-55	196.0	56.1	55.4	20.8	38.3	17.3	38.6	13.2	3.60	47.7	4.09
YE56-75	275.0	56.1	55.4	20.8	38.3	17.3	38.6	13.2	3.60	47.7	4.09
YE56-22	107.0	56.1	55.4	20.8	38.3	17.3	38.6	13.2	3.60	47.7	4.09
YE56-33	136.0	56.1	55.4	20.8	38.3	17.3	38.6	13.2	3.60	47.7	4.09
YE56-60	240.0	56.1	55.4	20.8	38.3	17.3	38.6	13.2	3.60	47.7	4.09
YE56-75A	262.0	56.1	55.4	20.8	38.3	17.3	38.6	13.2	3.60	47.7	4.09
YE57-35	173.0	56.9	47.6	18.9	29.0	18.9	38.1	11.5	3.58	40.8	2.78
YE57-55	240.0	56.9	47.6	18.9	29.0	18.9	38.1	11.5	3.58	40.8	2.78
YE57-75	325.0	56.9	47.6	18.9	29.0	18.9	38.1	11.5	3.58	40.8	2.78
YE57-22	139.0	56.9	47.6	18.9	29.0	18.9	38.1	11.5	3.58	40.8	2.78
YE57-60	290.0	56.9	47.6	18.9	29.0	18.9	38.1	11.5	3.58	40.8	2.78
YE57-75A	325.0	56.9	47.6	18.9	29.0	18.9	38.1	11.5	3.58	40.8	2.78
YE77-35	156.0	77.5	77.5	23.7	53.8	23.7	53.8	18.5	5.62	104	8.10