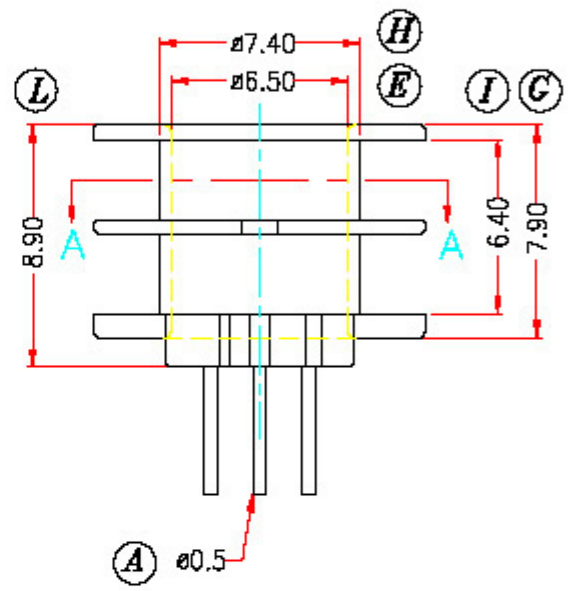
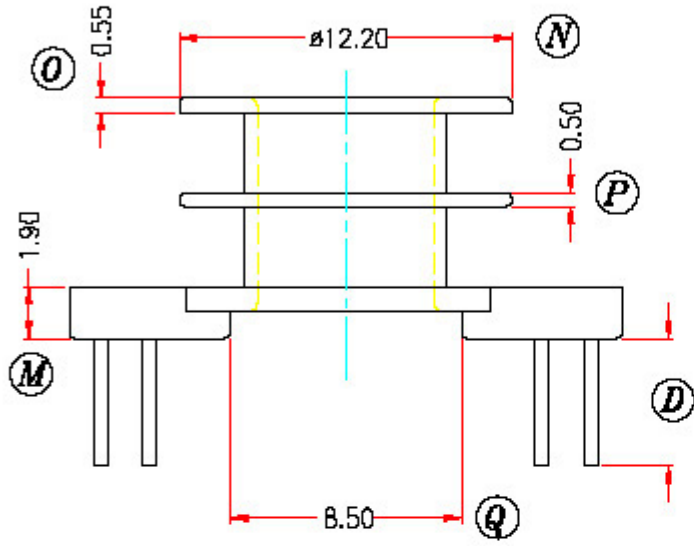
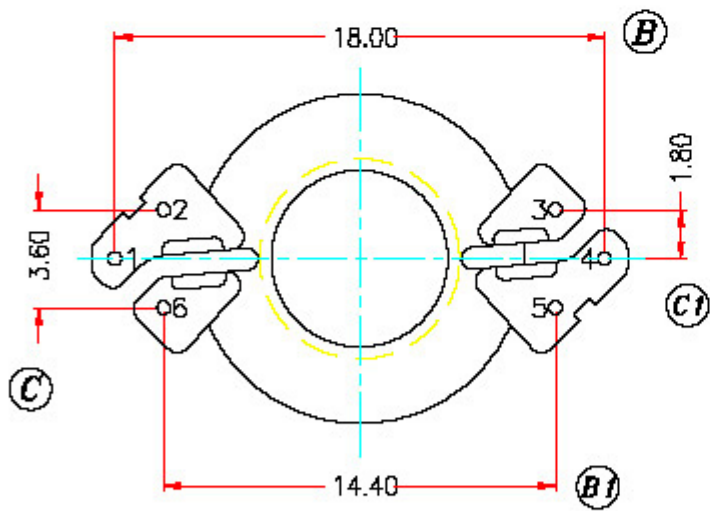
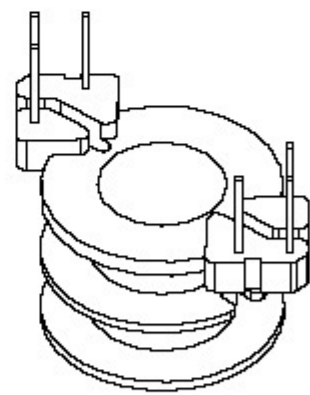


SEC A-A



A $\phi 0.5$



REV.	REVISIONS REC.	DATE:	REV.	REVISIONS REC.	DATE:
0			2		
1			3		
DRAWN & DRAFTED BY XIAO ZHUO		TOLERANCES		TITLE: BOBBIN RM-6	
CHECKED & APPROVED BY YI YING		$0 < L \leq 4 \pm 0.1$ $4 < L \leq 16 \pm 0.2$ $16 < L \leq 63 \pm 0.3$ pin pitch ± 0.2		ANGLE: $\pm 1^\circ$ UNIT: MM BOBBIN MATERIAL: PHENOLIC(PM-9820) PIN MATERIAL: CP WIRE UL REC. UL 94V-0 PIN TENSION LOAD: 0.70kg	
YUXIANG Magnetic Materials Ind. Co., Ltd. TEL:006-592-2217130 FAX:006-592-222216		SCALE:		DATE: APR 19 2004 DRAWING NO. FX-601-1 REV. 1	